

<b>Model:</b> PRIPORT TITANIUM		<b>Date:</b> 27-May-03	<b>No:</b> M-C252-001
<b>Modified Article:</b> Parts catalog correction		<b>Prepared by:</b>	
<b>From:</b> Priport Service Planning Section		M. Ohtsubo	
<b>Classification:</b>	<input checked="" type="checkbox"/> Parts catalog correction	<input type="checkbox"/> Vendor change	<input type="checkbox"/> To meet standards
	<input type="checkbox"/> To facilitate assembly	<input type="checkbox"/> To improve reliability	( )
	<input type="checkbox"/> Part standardization	<input type="checkbox"/> Other ( )	
<b>Model Name:</b> Ricoh JP730/JP750/JP780C, Gestetner 6123lcp/5410c/6123cp, Lanier LDD 730, nashuatec 6123cp, RexRotary 6123cp			

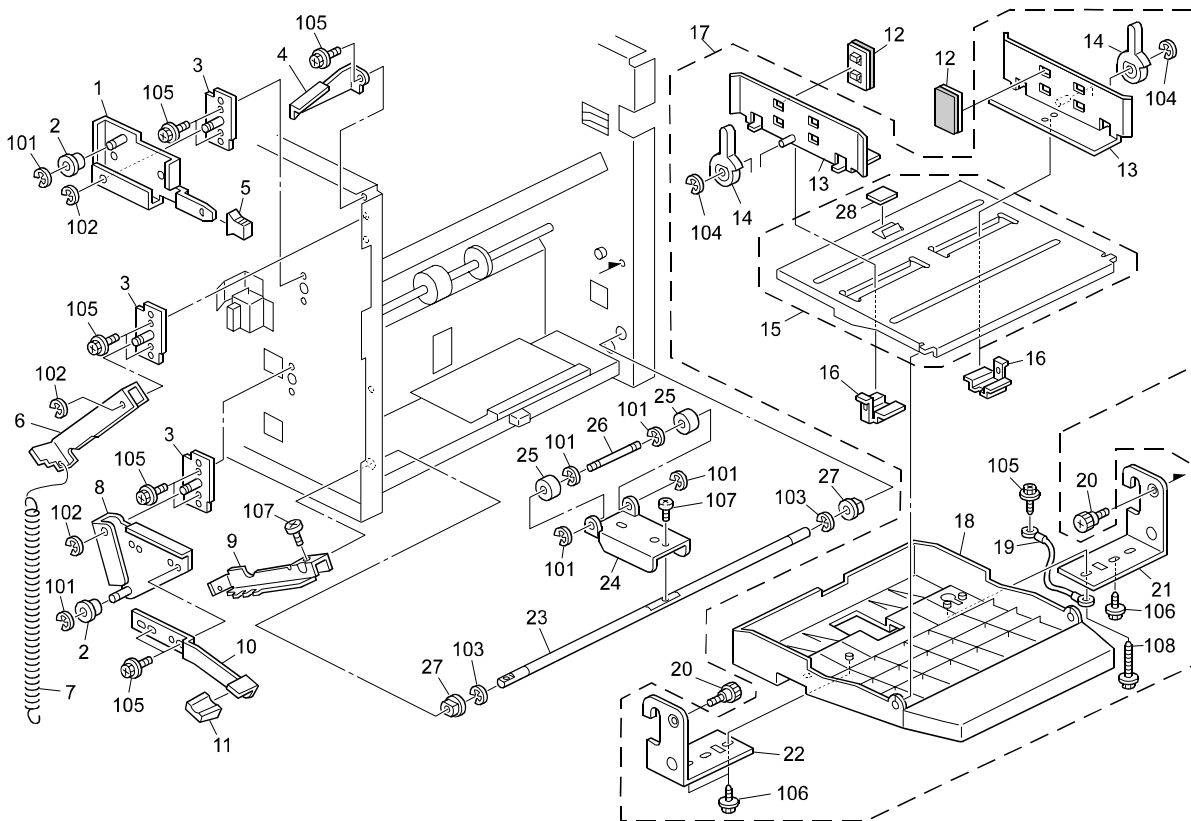
Please apply the following correction to your Parts Catalogs.

Add the 4x10 Tapping Screw (previously missing):

Incorrect #	Correct #	Description	Qty	Int	Page	Index	Note
	0450 4010B	Tapping Screw – 4x10	1	-	13	108*	

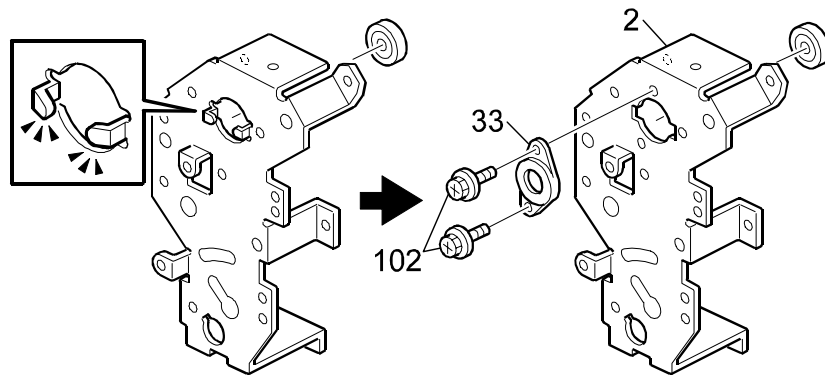
\*: New index

## 4. Paper Table (C252)



<b>Model:</b> PRIPORT TITANIUM	<b>Date:</b> 17-Oct-03	<b>No:</b> M-C252-002
<b>Modified Article:</b> Drive Support Plate	<b>Prepared by:</b>	
<b>From:</b> Priport Service Planning Section	M. Ohtsubo	
<b>Classification:</b>	<input type="checkbox"/> Parts catalog correction <input type="checkbox"/> Vendor change <input type="checkbox"/> To meet standards <input type="checkbox"/> To facilitate assembly <input checked="" type="checkbox"/> To improve reliability    (    ) <input type="checkbox"/> Part standardization <input type="checkbox"/> Other (    )	
<b>Model Name:</b>		
Ricoh JP730/JP750/JP780C, Gestetner 6123lcp/5410c/6123cp, Lanier LDD 730, nashuatec 6123cp, RexRotary 6123cp		

A bearing holder has been added to the drive support plate to ensure that the portion which secures the bearing does not deform, which can happen if the drum unit is pulled out and pushed back in repeatedly with excessive force.



Old #	New #	Description	Qty	Int	Page	Index	Note
C252 1170	C252 1172	Drive Support Plate	1	X/X	37	2	X/O as a set
	C252 1171	Bearing Holder	1	-	37	33*	
	0451 3006B	Tapping Screw – M3x6	2	-	37	102	

\*: New index

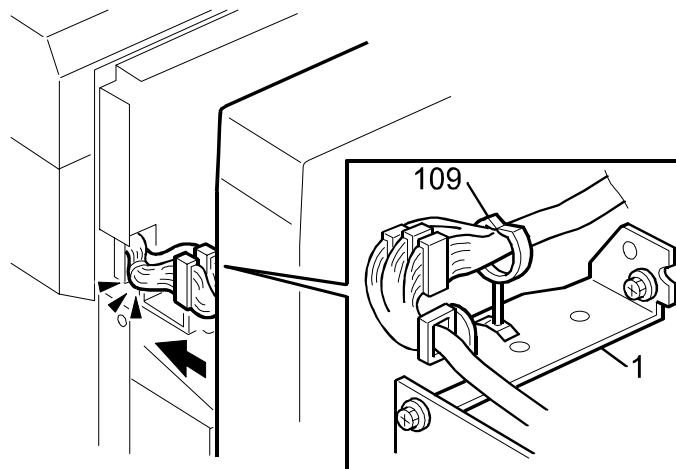
**Model:** PRIPORT TITANIUM**Date:** 17-Oct-03**No:** M-C252-002**CUT IN SERIAL NUMBERS**

<b>Model Name</b>	<b>V/Hz</b>	<b>Destination</b>	<b>Code</b>	<b>Serial Number</b>
Nsa 6123cp, Rex 6123cp, Ges 6123cp	230/50	Europe, Asia, etc	C252-72	F3130770001
Ricoh JP780C	230/50	China	C252-76	
Ricoh JP750	230/50	Europe, Asia, etc	C252-77	
Ges 5410c	230/50	China	C252-78	
Ricoh JP730, Ges 6123lcp, Lanier LDD730	120/60	Latin America	C252-92	

<b>Model:</b> PRIPORT TITANIUM		<b>Date:</b> 17-Oct-03	<b>No:</b> M-C252-003
<b>Modified Article:</b> MPU Base Bracket		<b>Prepared by:</b>	
<b>From:</b> Priport Service Planning Section		M. Ohtsubo	
<b>Classification:</b> <input type="checkbox"/> Parts catalog correction <input type="checkbox"/> Vendor change <input type="checkbox"/> To meet standards <input type="checkbox"/> To facilitate assembly <input checked="" type="checkbox"/> To improve reliability                 ( ) <input type="checkbox"/> Part standardization <input type="checkbox"/> Other ( )			
<b>Model Name:</b> Ricoh JP730/JP750/JP780C, Gestetner 6123lcp/5410c/6123cp, Lanier LDD 730, nashuatec 6123cp, RexRotary 6123cp			

A clamp has been added to the harness for the master making unit to ensure the harness does not get caught when the rear cover is closed, and an attachment opening for this new clamp has been added to the MPU base bracket.

**NOTE:** Although there are a total of six MPU base brackets used on this machine, the only one physically modified to support the new clamp is the one bracket below. Interchangeability with the other five brackets remains O/O.



Old #	New #	Description	Qty	Int	Page	Index	Note
C252 5608	C252 5615	MPU Base Bracket	1	X/X	39	1	X/O as a set
	1105 0348	Clamp	1	-	39	109*	

\*: New index

**Model:** PRIPORT TITANIUM**Date:** 17-Oct-03**No:** M-C252-003**CUT IN SERIAL NUMBERS**

<b>Model Name</b>	<b>V/Hz</b>	<b>Destination</b>	<b>Code</b>	<b>Serial Number</b>
Nsa 6123cp, Rex 6123cp, Ges 6123cp	230/50	Europe, Asia, etc	C252-72	F3130770001
Ricoh JP780C	230/50	China	C252-76	
Ricoh JP750	230/50	Europe, Asia, etc	C252-77	
Ges 5410c	230/50	China	C252-78	
Ricoh JP730, Ges 6123lcp, Lanier LDD730	120/60	Latin America	C252-92	